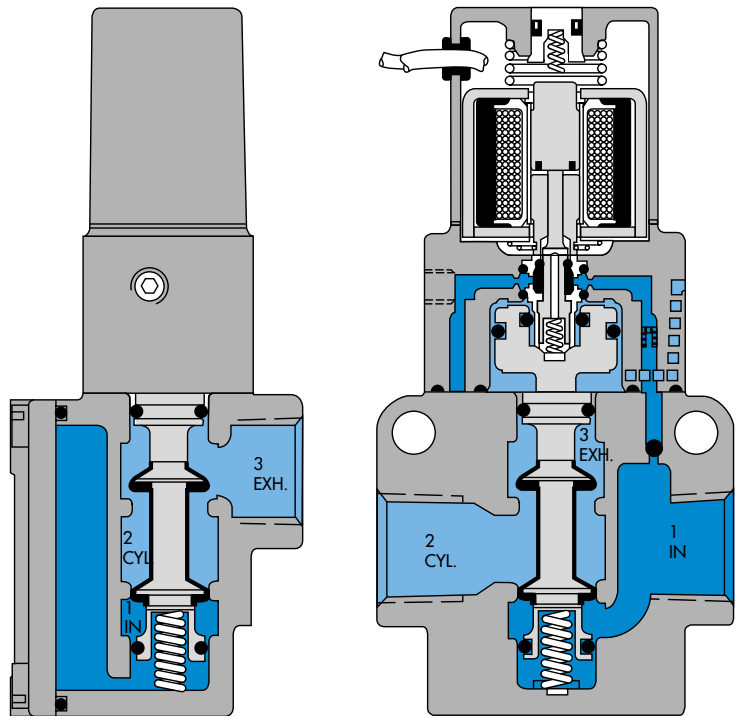


Individual mounting

inline



Function	Port size	Flow (Max)	Individual mounting
<b>3/2 NO-NC, 2/2 NO-NC</b>	<b>G1/4" - G3/8"</b>	<b>2200 NI/min</b>	inline


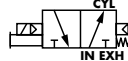
### OPERATIONAL BENEFITS

- Balanced spool, immune to variations of pressure.
- Short stroke with high flow.
- The piston (booster) provides maximum shifting forces.
- Checked accumulator guarantees maximum pilot pressure.
- Powerful return force thanks to the combination of mechanical and air springs.
- Bonded spool with minimum friction, shifting in a glass-like finished bore.
- Wiping effect eliminates sticking.
- Pilot valve with balanced poppet, high flow, short and consistent response times.



### HOW TO ORDER

Reset

Port size	Pilot air	NC valve	NO valve
			
<b>G1/4"</b>	Internal	55B-13-PI- <b>XXYYZZ</b>	55B-23-PI- <b>XXYYZZ</b>
<b>G3/8"</b>	Internal	55B-14-PI- <b>XXYYZZ</b>	55B-24-PI- <b>XXYYZZ</b>
<b>G1/4"</b>	External	55B-13-PE- <b>XXYYZZ</b>	55B-23-PE- <b>XXYYZZ</b>
<b>G3/8"</b>	External	55B-14-PE- <b>XXYYZZ</b>	55B-24-PE- <b>XXYYZZ</b>

### SOLENOID OPERATOR >

**XX Y ZZ\***

XX	Voltage	Y	Manual operator	ZZ	Electrical connection
11	110V~/50Hz	1	Non-locking	JB	Rectangular connector
12	220V~/50Hz	2	Locking	JD	Rectangular connector with light
22	24V~/50Hz			JA	Square connector
59	24V=/2,5W			JC	Square connector with light
87	24V=/17,1W			BA	Flying leads (45 cm)
61	24V=/8,5W				

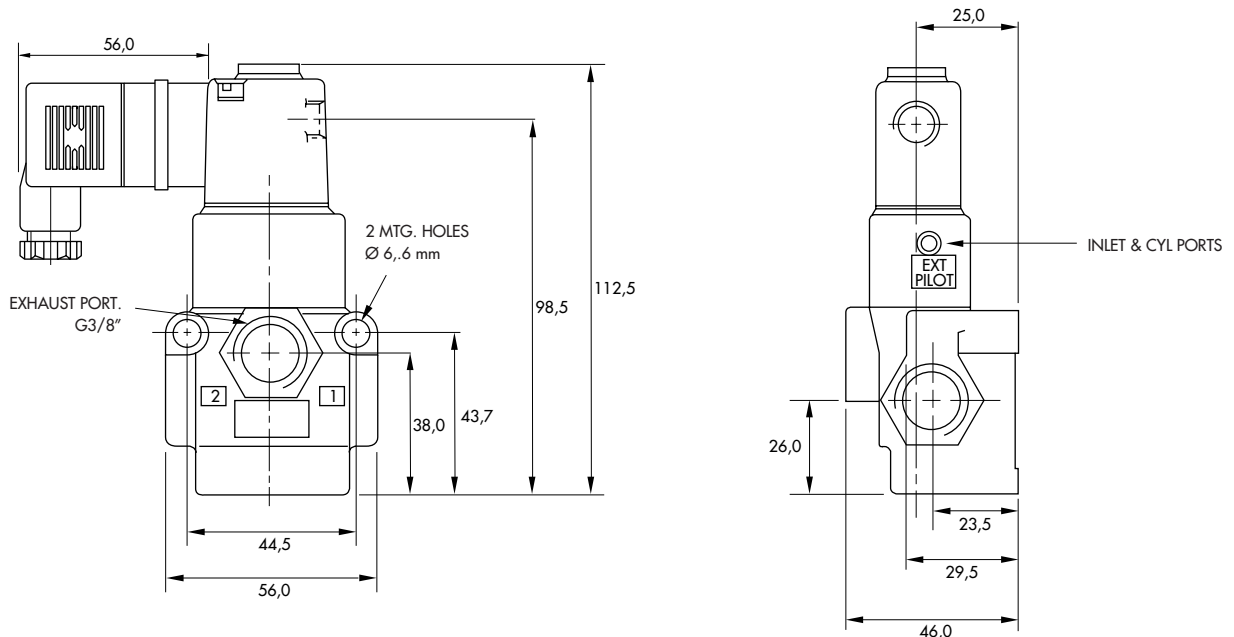
**TECHNICAL  
D A T A**

<b>Fluid :</b>	Compressed air, vacuum, inert gases
<b>Pressure range :</b>	Internal pilot : 1.8 to 10 bar External pilot : vacuum to 10 bar
<b>Pilot pressure :</b>	1.8 to 10 bar
<b>Lubrication :</b>	Not required, if used select a medium aniline point lubricant (between 80°C and 100°C)
<b>Filtration :</b>	40 µ
<b>Temperature range :</b>	-18°C to +50°C
<b>Orifice :</b>	8 mm
<b>Flow (at 6 bar, ΔP=1bar) :</b>	G 1/4" : 1400 Nl/min (C <sub>v</sub> 1.4) - G 3/8" : 1600 Nl/min (C <sub>v</sub> 1.6)
<b>Leak rate :</b>	50 cm <sup>3</sup> /min
<b>Coil :</b>	Epoxy encapsulated - class A wires - 100% ED (specify mod 0449)
<b>Voltage range :</b>	-15% to +10% of nominal voltage
<b>Protection :</b>	IP 65
<b>Power :</b>	~ Inrush : 14.8 VA    Holding : 10.9 VA = 1 to 17 W
<b>Response times :</b>	24 V=8.5 W    Energize : 9 ms    De-energize : 4.8 ms 50Hz/6 W    Energize : 5-11 ms    De-energize : 5-11 ms

Spare parts :    • Solenoid operator (power ≥ 4 W) : D1-XXYZZ1, including mounting screws 35206 and seal 16234.  
                           • Pilot valve : PID-XXYZZ, including mounting screws 35214 and seal 16363. • Check valve : 70061.

Options :            • NPTF threads.

**DIMENSIONS**



**Codification table for voltages / Manual operator / Electrical connection / Wire length**

VALVE CODE >

**-XX Y ZZ (-VV)**  
**1 2 3 4**

OPTIONS AVAILABLE FOR	OPTIONS AVAILABLE FOR
<ul style="list-style-type: none"> <li>- valves type 100 Series</li> <li>- pilot valves "CNOMO"</li> </ul>	<ul style="list-style-type: none"> <li>- valves type 200 Series</li> </ul>
<ul style="list-style-type: none"> <li>- Pilot operated valves with pilots type 100 Series</li> <li>Series : 55 - 56 - 700 - 800 - 900</li> <li>- 6200 - 6300 - 6500 - 6600 - 1300</li> <li>- ISO 1 - ISO 2 - ISO 3.</li> </ul>	<ul style="list-style-type: none"> <li>- pilot operated valves with pilots type 200 Series</li> <li>Series : 200 - 57 - 58 - 59.</li> </ul>
<ul style="list-style-type: none"> <li>- Pilot operated valves with pilots "CNOMO"</li> <li>Series : ISO1 - ISO2 - ISO3</li> </ul>	

1. VOLTAGE (type 100 Series)		1. VOLTAGE (type 200 Series)	
- XX Y ZZ	VOLTAGE	- XX Y ZZ	VOLTAGE
<b>11</b>	120 V~/60 Hz - 110 V~/50 Hz	<b>11</b>	120 V~/60 Hz - 110 V~/50 Hz - 24 V=
<b>12</b>	240 V~/60 Hz - 220 V~/50 Hz	<b>12</b>	240 V~/60 Hz - 220 V~/50 Hz
<b>13</b>	100 V~/60 Hz - 100 V~/50 Hz	<b>13</b>	100 V~/60 Hz - 100 V~/50 Hz
<b>15</b>	200 V~/60 Hz - 200 V~/50 Hz	<b>14</b>	200 V~/60 Hz - 200 V~/50 Hz
<b>16</b>	10 V~/60 Hz	<b>20</b>	6 V~/60 Hz
<b>20</b>	6 V~/60 Hz	<b>21</b>	12 V~/60 Hz
<b>21</b>	12 V~/50 Hz - 12 V~/60 Hz	<b>22</b>	24 V~/60 Hz - 24 V~/50 Hz
<b>22</b>	24 V~/60 Hz - 24 V~/50 Hz	<b>23</b>	32 V~/60 Hz - 32 V~/50 Hz
<b>23</b>	32 V~/60 Hz - 32 V~/50 Hz	<b>24</b>	48 V~/60 Hz - 42 V~/50 Hz
<b>24</b>	48 V~/60 Hz - 42 V~/50 Hz	<b>25</b>	240 V~/50 Hz
<b>26</b>	380 V~/50 Hz, 440 V~/50 Hz -440 V~/60 Hz, 480 V~/60 Hz-CLSF	<b>26</b>	480 V~/60 Hz - 440 V~/50 Hz
<b>29</b>	200 V~/60 Hz	<b>27</b>	127 V~/60 Hz
<b>34</b>	127 V~/50 Hz - 120 V~/50 Hz	<b>28</b>	415 V~/50 Hz
<b>35</b>	48 V~/50 Hz	<b>29</b>	200 V~/60 Hz
<b>36</b>	16 V~/60 Hz	<b>30</b>	380 V~/50 Hz
<b>B1</b>	24 V~/50 Hz	<b>31</b>	550 V~/60 Hz - 550 V~/50 Hz
<b>50</b>	24 V=/6 W	<b>32</b>	120 V~/60 Hz - 110 V~/50 Hz
<b>51</b>	24 V=/4 W	<b>33</b>	600 V~/60 Hz
<b>54</b>	12 V=/4 W	<b>34</b>	127 V~/50 Hz
<b>55</b>	12 V=/6 W	<b>35</b>	48 V~/50 Hz
<b>57</b>	12 V=/2,5 W	<b>50</b>	24 V=/6 W
<b>59</b>	24 V=/2,5 W	<b>51</b>	24 V=/4,5 W
<b>60</b>	12 V=/8,5 W	<b>52</b>	24 V=/2,5 W
<b>61</b>	24 V=/8,5 W	<b>53</b>	24 V=/1 W
<b>64</b>	6 V=/6 W	<b>55</b>	12 V=/6 W
<b>65</b>	32 V=/7 W	<b>57</b>	12 V=/2,5 W
<b>66</b>	48 V=/5,8 W	<b>58</b>	48 V=/2,5 W
<b>67</b>	64 V=/7,5 W	<b>60</b>	12 V=/9,5 W
<b>68</b>	120 V=/6,4 W	<b>61</b>	24 V=/8,5 W
<b>69</b>	220 V=/8,7 W - 250 V=/11,2 W CLSF	<b>64</b>	6 V=/8,5 W
<b>75</b>	90 V=/8,8 W CLSF	<b>65</b>	32 V=/10 W
<b>76</b>	100 V=/6,9 W CLSF	<b>66</b>	48 V=/11,5 W
<b>84</b>	125 V=/10,9 W CLSF	<b>67</b>	64 V=/10,5 W
<b>87</b>	24 V=/17,1 W CLSF	<b>68</b>	120 V=/12,3 W
<b>88</b>	12 V=/17,4 W CLSF	<b>69</b>	250 V=/9,2 W
<b>89</b>	36 V=/18,8 W CLSF	<b>71</b>	8 V=/8,2 W
<b>90</b>	28 V=/8,2 W	<b>72</b>	24 V=/12 W
<b>91</b>	6 V=/10,6 W CLSF	<b>73</b>	198 V=/10 W
<b>92</b>	190 V=/6,5 W	<b>74</b>	72 V=/11,3 W
<b>94</b>	3 V=/7 W	<b>75</b>	90 V=/11,3 W
<b>95</b>	38 V=/6,4 W	<b>76</b>	100 V=/9 W
<b>A1</b>	24 V=/1 W	<b>77</b>	220 V=/10 W - 230 V=/1,6 W
<b>A2</b>	12 V=/1 W	<b>78</b>	24 V=/24 W CLSF
<b>A3</b>	9 V=/1 W	<b>80</b>	55 V=/10,6 W CLSF
MOD. DD01 : Protection diode (DC)		<b>82</b>	179 V=/11,1 W
MOD. MOV1 : Protection varistor (AC)		<b>83</b>	15 V=/8,1 W
MOD. DD01 : max. 8,5 W		<b>84</b>	125 V=/10 W
MOD. MOV1 : max. 8,5 W		<b>86</b>	36 V=/11 W
		<b>93</b>	12 V=/24 W CLSF

**2. MANUAL OPERATOR (Common options for 100 & 200 Series)**

- XX Y ZZ	MANUAL OPERATOR
0	No operator
1	Non-locking recessed
2	Locking recessed
3	Non-locking extended
4	Locking extended

**3. ELECTRICAL CONNECTION (type 100 Series)**

- XX Y ZZ	ELECTRICAL CONNECTION
AA	Wiring box with 1/2" NPS conduit
BA	Flying leads
CA	1/2" NPS conduit
CC	1/2" NPS conduit
FA	Military type 2 PIN
GA	Military type 3 PIN
HA	AA with ground wire
JA*	Square connector
JB	Rectangular connector
JC*	Square connector with light
JD	Rectangular connector with light
JE	Square connector on top (ISO2, ISO3)
JF	Rectangular connector on top (ISO1, ISO2, ISO3)
JG	JE with light
JH	JF with light
JJ	Square connector, male only
JM	Rectangular connector, male only
MA	Electrical common conduit
MB	Electrical common conduit
NA	CA with ground wire
NC	CC with ground wire
RA	3/8" NPS conduit
AD	Wiring box 20 mm
AH	Wiring box PG 13,5 with ground wire
CD	20 mm conduit
CG	PG 11 conduit
HH	Wiring box PG 13,5 with ground wire
ND	20 mm conduit with ground wire
NG	PG11 conduit with ground wire
HD	20 mm wiring box with ground wire

**3. ELECTRICAL CONNECTION (type 200 Series)**

- XX Y ZZ	ELECTRICAL CONNECTION
AA	Wiring box with 1/2" NPS conduit
BA	Flying leads
CA	1/2" NPS conduit
CC	1/2" NPS conduit
EA	Explosion proof (200 Series)
EA	Explosion proof (57, 58 & 59 Series)
EE	Explosion proof (CENELEC)
EN	Explosion proof with ground wire
FA	Military type 2 PIN
GA	Military type 3 PIN
HA	AA with ground wire
JA*	Square connector
JC	Square connector with light
JJ	Square connector, male only
NA	CA with ground wire
NC	CC with ground wire
AD	Wiring box 20 mm
AK	PG 16 wiring box
CD	20 mm conduit
CK	PG 16 conduit
HD	20 mm wiring box with ground wire
HK	PG16 wiring box with ground wire
ND	20 mm conduit with ground wire
NK	PG16 wiring box with ground wire

\* Not to be used with 100, 800 and 900 Series manifold mounting

**4. WIRE LENGTH (Common options for 100 & 200 Series)**

<b>- XX Y ZZ (-VV)</b>	<b>WIRE LENGTH</b>
<b>AA</b>	45 cm - 18"
<b>AB</b>	60 cm - 24"
<b>AD</b>	90 cm - 36"
<b>AE</b>	120 cm - 48"
<b>AF</b>	180 cm - 72"
<b>AG</b>	15 cm - 6"
<b>AR</b>	30 cm - 12"
<b>AU</b>	305 cm - 120"
<b>BA</b>	152 cm - 60"
<b>BB</b>	366 cm - 144"
Series 6000 : wire length, delivered with the base	
<b>MOD L024</b>	60 cm - 24"
<b>MOD L036</b>	91 cm - 36"
<b>MOD L048</b>	122 cm - 48"
<b>MOD L060</b>	152 cm - 60"
<b>MOD L072</b>	180 cm - 72"
<b>MOD L120</b>	305 cm - 120"